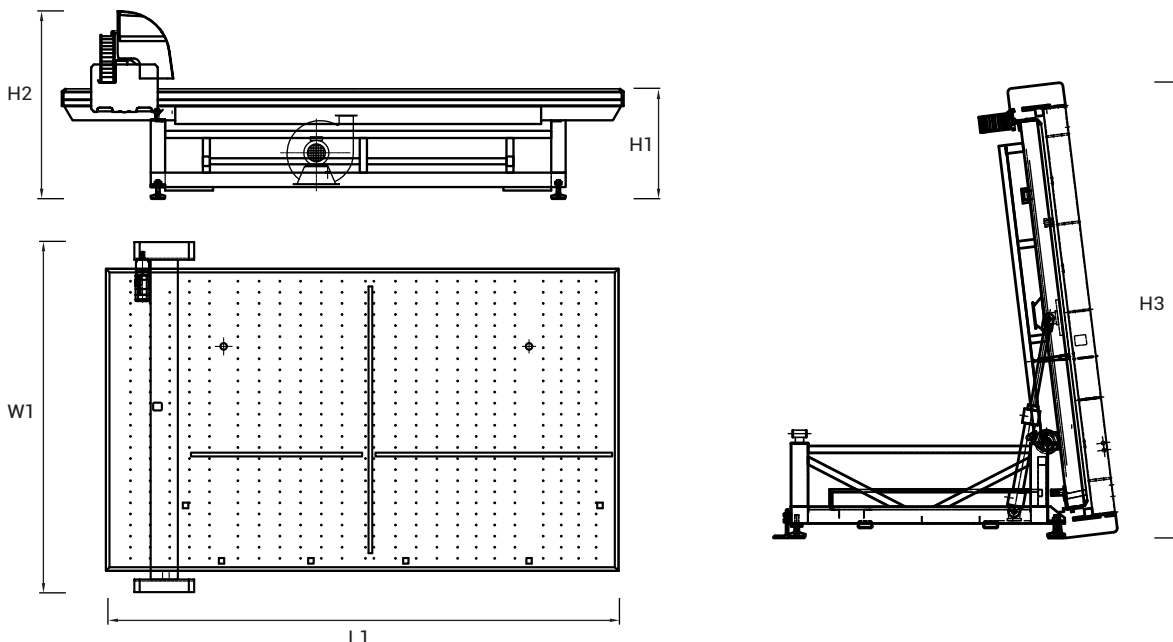


Shape Your Glass with Steady and Stable Cutting Technology



- ★ Glass Thickness : 3 – 19 mm
- ★ Max. Speed : 200 m/min.
- ★ Cutting Tolerance : ± 0,2 mm

Models & Sizes



OCKM	Glass Sizes						
	L-Glass	W-Glass	L1	W1	H1	H2	H3
3700	3700	2550	4700	3200	920	1600	3300
6000	6000	3210	7000	4000	920	1600	4200

Please contact your sales representative for different size requests.

System Configuration

We would like to introduce our OCKM series designed with high sense of quality and years of expertise to sustain smooth flat glass cutting experience.

A- Automatic Glass Cutting Table



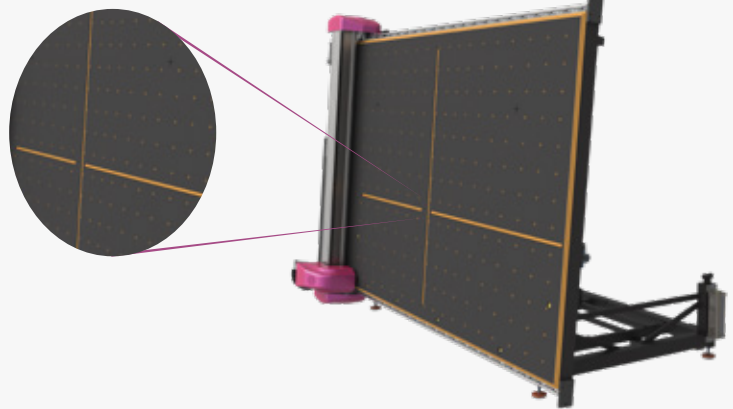
Automatic Glass Cutting Table is used for automatic cutting of straight, shaped or soft coated (Low-E) glass sheets. It can be configured according to your needs under favor of its integrated features.

- + Smooth tilting system
- + Maximum sensitivity, minimum cutting tolerance
- + Fast, accurate and stable cutting performance
- + Minimum surface friction thanks to air cushion system

B- Breaking Bars

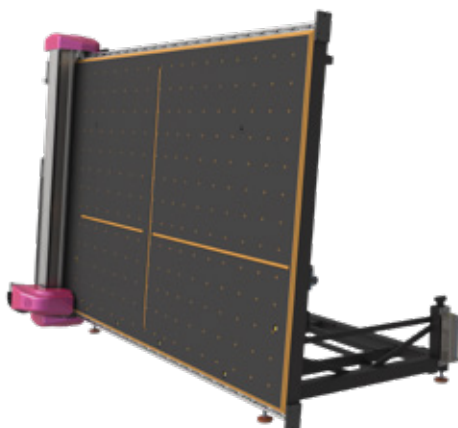
Fast and accurate glass separation process can be carried out owing to the breaking bars mechanism integrated into the cutting machine.

- + Manual glass breaking and separation process on X and Y axes.



	OCKM3700	OCKM6000
Quantity of breaking bars (X+Y)	1+1	2+1

C- Tilting Table



Use your factory space more effective.

An additional machine for loading and unloading operations is not required by means of tilting table feature.

Key Features

✔ Straight and Shaped Glass Cutting

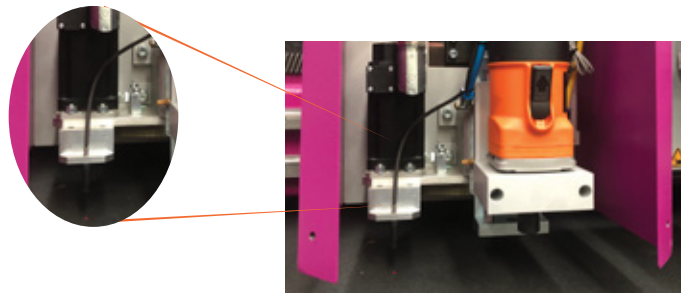
Automatic Glass Cutting table is designed for cutting straight and shaped glass sheets at high speed.

✔ Automatic Speed & Pressure Adjustment

Automatic Speed and Pressure Adjustment feature serves perfect cutting experiences for various glass thicknesses and shapes.

✔ Automatic Glass Alignment

The system automatically senses the position of the glass cutting process starts according to the actual position.



✔ Recipe Management

Save your datas and settings



✔ Operator Panel

With our innovative, ergonomic and user-friendly control panel all processes are under your control.



✔ Remote Access

Remote access feature provides advanced online assistance and troubleshooting



✔ Zero point for laminated glass cutting

✔ Vibration-free operation thanks to heavy and robust steel construction structure

Optional Features

✓ **Opt. LGS**
Laser Glass Scanner

✓ **Opt. SFE**
Safety Barrier

✓ **Opt. VGC**
Vinyl Glass Cutting

Opt.BED
Brush / Low-E Edge Deletion



+ Second oil tank

✓ **Low-E Edge Deletion**



In both metal brush and grinding wheel deletion methods, either straight or shaped soft coated (Low-E) glass can be deleted at a high speeds.

Opt.WED
Grinding Wheel / Low-E Edge Deletion



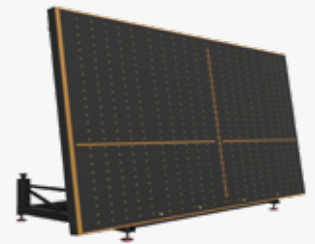
Opt.KM
Fixed Glass Breaking Table



✓ **Additional Breaking Table**

The best solution to increase your production capacity and effectiveness of your cutting machine.

Opt.CKM
Tilting Glass Breaking Table



Opt.LMS
Label / Glass Marking System



✓ **Glass Marking System**

Glass Marking System provides marking of each cut glass piece either by labelling or ink-spraying.

Opt.IMS
Inkjet / Glass Marking System

