

✦ **Strong & Ergonomic**

DTM

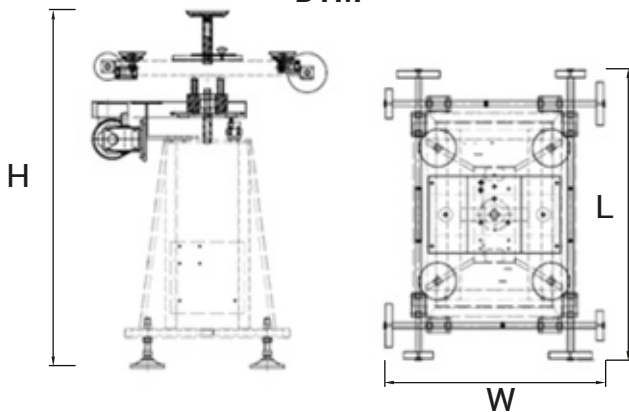


RTB

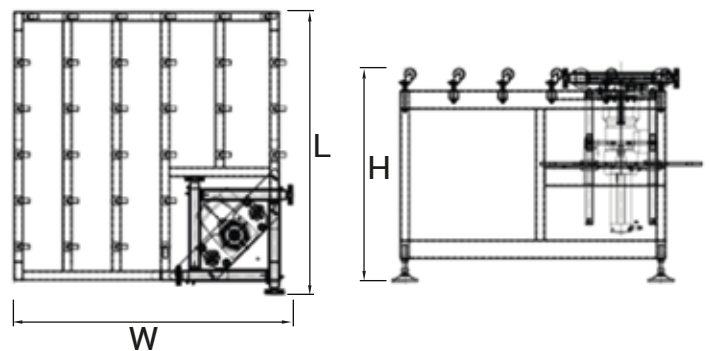


Models & Sizes

DTM



RTB



	Glass Size				
	W	L	H	Min.	Max.
DTM2X2	850	650	1150	150x150	1500x1500
RTB	1225	1225	926	200x200	2000x2000

Key Features

The most suitable and ergonomic solution for your manual insulating glass sealing operations

✓ Compact Design

✓ High Pneumatic Suction Force

✓ Easy Usage With Foot Pedal



✓ Small Size Glass Sealing

We offer an easy-to-disassemble auxiliary suction cup attachment to easily sealing of small sized insulated glass units

✓ Sealing Large Size Insulated Glass

We facilitate your work with supporting arms to easily seal large sized insulated glasses.



✓ Adjustable Rotation Speed

We offer your operator the option to adjust the rotation speed so that they can work at the desired speed.

+ This feature is only available for the RTB model.

✓ Different Rotation Options

We provide convenience to your operator with our different turning options, 90°, 360° or circular, for easy and fast use.